

CSC019



CROCK·POT

FOOD WARMER

INSTRUCTION MANUAL

READ AND SAVE THESE INSTRUCTIONS

Find us at  CrockpotUK

IMPORTANT SAFEGUARDS

This appliance can be used by children aged from 8 years and above and persons with reduced physical, sensory or mental capabilities or lack of experience and knowledge if they have been given supervision or instruction concerning use of the appliance in a safe way and understand the hazards involved. Children shall not play with the appliance. Cleaning and user maintenance shall not be made by children without supervision.

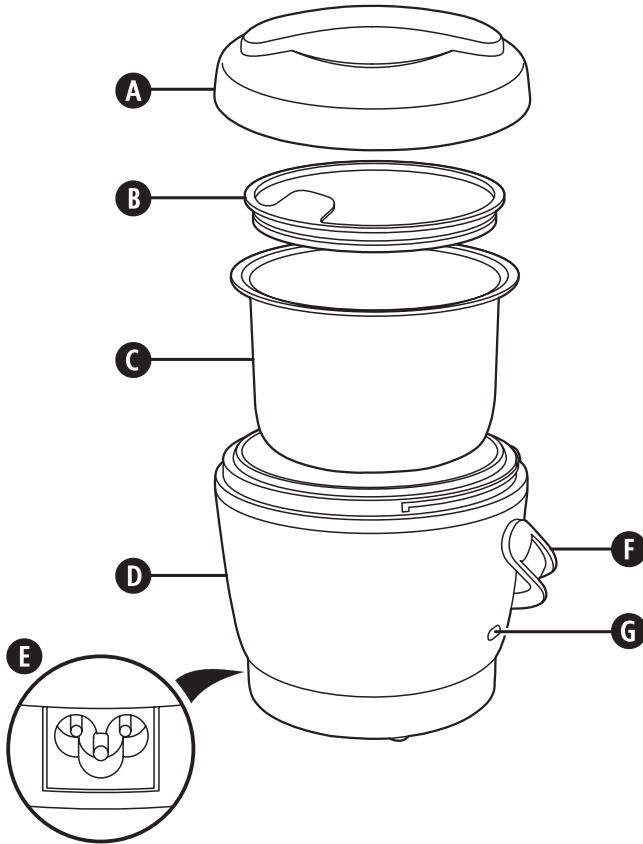
Never fill the appliance above the MAX marking.

If the supply cord is damaged, it must be replaced by one of exactly the same type available from the manufacturer, its service agent or similarly qualified persons in order to avoid a hazard.

- This appliance generates heat during use. Adequate precaution must be taken to prevent the risk of burns, scalds, fires or other damage to persons or property caused whilst in use or during cooling.
- Never use this appliance for anything other than its intended use. This appliance is for household use only. Do not use this appliance outdoors.
- Always ensure that hands are dry before handling the plug or switching on the appliance.
- Always use the appliance on a stable, secure, dry and level surface.
- This appliance must not be placed on or near any potentially hot surfaces (such as a gas or electric hob).
- Do not use the appliance if it has been dropped, if there are any visible signs of damage or if it is leaking.
- Ensure the appliance is switched off and unplugged from the supply socket after use and before cleaning.
- Always allow the appliance to cool before cleaning or storing.
- Never immerse the body of the appliance or power cord and plug in water or any other liquid.
- Never let the power cord hang over the edge of a worktop, touch hot surfaces or become knotted, trapped or pinched.
- Never leave the appliance unattended when in use.
- Beware of escaping steam when opening the lid of the appliance.
- NEVER attempt to heat any food item directly inside the base unit. Always heat items inside the food container provided.
- Some surfaces are not designed to withstand the prolonged heat generated by certain appliances. Do not set your food warmer onto a surface that may be damaged by heat. We recommend placing an insulating pad or trivet under your food warmer to prevent possible damage to the surface.

If you intend using your Crock-Pot food warmer at your place of work, check with your employer first whether the use of personal electrical appliances is permitted.

PARTS



- | | | | |
|----------|--------------------|----------|------------------------|
| A | Base unit lid | E | Power cord connector |
| B | Food container lid | F | Carrying handle |
| C | Food container | G | Power light |
| D | Base unit | H | Power cord (not shown) |

BEFORE FIRST USE

▲ Make sure your food warmer is unplugged from the mains supply socket before cleaning. Never immerse the base unit, power cord or plug in water or any other liquid.

Before using your food warmer for the first time wash the base unit lid, food container lid and food container in warm, soapy water. Rinse and dry thoroughly. Do not use harsh abrasives, chemicals or oven cleaners. Using a damp cloth or sponge, wipe the exterior and interior of the base unit. Use a mild detergent solution. Dry thoroughly.

USING YOUR FOOD WARMER

▲ Your food warmer is not designed to cook food. If a recipe calls for ingredients that are uncooked, such as meats, these must first be fully cooked before they are combined with other ingredients and heated in the unit.

1. Fill the removable food container **C** with the desired food and then place the food container lid **B** on. Only fill the food container to the MAX mark. Do not overfill the inner container.
2. Place the removable food container inside the base unit **D** then and fit the base unit lid **A** and twist it until it is secure.
3. Plug in your food warmer well in advance of the desired meal time. The power indicator light **G** will turn on and the unit will automatically begin to heat up the food.
4. It is normal for the food container lid to pop open after the unit has been warming for some time. If this happens, don't try to refit the lid because the rim of the metal food container will be hot.

NOTE: The food container lid and base unit lid do not need to be fitted while your food warmer is heating the food, but we recommend that they are to avoid spillages and unnecessary food odours and to ensure the quickest heating time.

5. Once your food has reached the desired temperature, unplug the unit.
6. For convenience, you can eat your food straight out of your food warmer. However, you can empty the contents into a suitable bowl. Use caution and suitable protection when handling the food container as it will be HOT.

USAGE NOTES

Your food warmer is not meant to warm foods rapidly. Heating times will vary depending on the type of food being warmed and the starting temperature of the food. Stirring will help to speed up the time it takes to heat the food. In general:

- Always follow the correct food hygiene practices for precooked and leftover foods before reheating.
- Soup approximately 2 hours heating time.
- Casseroles, curries, chillis, etc. approximately 3 hours heating time.
- Always ensure that the food is piping hot and heated throughout before eating.
- We recommend that you do not heat foods for longer than 6 hours.

CLEANING

▲ Make sure your food warmer is unplugged at the mains supply socket and is fully cooled before cleaning.

- Remove the food container and fill it with warm soapy water to loosen any food remains. Do not use abrasive cleaners. A cloth, sponge or rubber spatula will usually remove any residue. To remove any water spots or other stains, use a non-abrasive cleaner or vinegar.
- The lids for the food container and base unit, and the removable food container are dishwasher safe.
- Clean the base unit with a soft cloth moistened in warm soapy water soapy water. Wipe dry. Do not use abrasive cleaners.

GUARANTEE

Please keep your receipt as this will be required for any claims under this guarantee.

This appliance is guaranteed for 2 years after your purchase as described in this document.

During this guaranteed period, if in the unlikely event the appliance no longer functions due to a design or manufacturing fault, please take it back to the place of purchase, with your till receipt and a copy of this guarantee.

The rights and benefits under this guarantee are additional to your statutory rights, which are not affected by this guarantee. Only Jarden Consumer Solutions (Europe) Limited (“JCS (Europe)”) has the right to change these terms.

JCS (Europe) undertakes within the guarantee period to repair or replace the appliance, or any part of appliance found to be not working properly free of charge provided that:

- you promptly notify the place of purchase or JCS (Europe) of the problem; and
- the appliance has not been altered in any way or subjected to damage, misuse, abuse, repair or alteration by a person other than a person authorised by JCS (Europe).

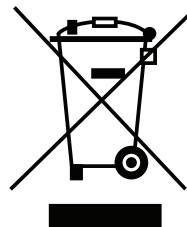
Faults that occur through, improper use, damage, abuse, use with incorrect voltage, acts of nature, events beyond the control of JCS (Europe), repair or alteration by a person other than a person authorised by JCS (Europe) or failure to follow instructions for use are not covered by this guarantee. Additionally, normal wear and tear, including, but not limited to, minor discoloration and scratches are not covered by this guarantee.

The rights under this guarantee shall only apply to the original purchaser and shall not extend to commercial or communal use.

If your appliance includes a country-specific guarantee or warranty insert please refer to the terms and conditions of such guarantee or warranty in place of this guarantee or contact your local authorized dealer for more information.

Waste electrical products should not be disposed of with household waste. Please recycle where facilities exist. E-mail us at enquiriesEurope@jardencs.com for further recycling and WEEE information.

Jarden Consumer Solutions (Europe) Limited
Middleton Road
Royton
Oldham
OL2 5LN
UK



CONNECTION TO THE MAINS SUPPLY

⚠ This appliance must be earthed.

This appliance is fitted with either a moulded or rewirable BS1363, 13 amp plug. The fuse should be rated at 3 amps and be ASTA approved to BS1362.

If the fuse in a moulded plug needs to be changed, the fuse cover must be refitted. The appliance must not be used without the fuse cover fitted.

If the plug is unsuitable, it should be dismantled and removed from the supply cord and an appropriate plug fitted as detailed below. If you remove the plug it must not be connected to a 13 amp socket and the plug must be disposed of immediately.

The wires of the mains lead are coloured in accordance with the following code:

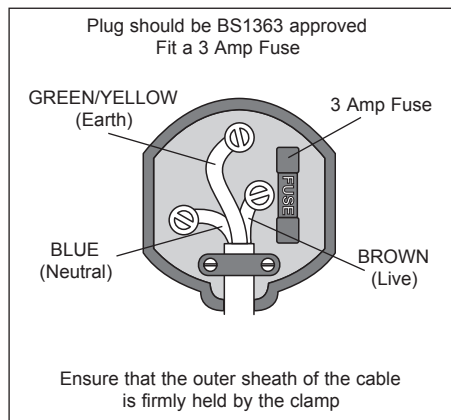
GREEN/YELLOW = EARTH BLUE = NEUTRAL BROWN = LIVE

The wire which is coloured GREEN/YELLOW must be connected to the terminal in your plug which is marked with an E or by the earth symbol (\perp) or coloured GREEN or GREEN/YELLOW.

The wire which is coloured BLUE must be connected to the terminal in your plug which is marked with the letter N or coloured BLACK.

The wire which is coloured BROWN must be connected to the terminal in your plug which is marked with the letter L or coloured RED.

If any other plug is used, a 3 amp fuse must be fitted either in the plug or adaptor or at the distributor board.



CROCK·POT[®]

© 2014 Jarden Consumer Solutions (Europe) Limited.

All rights reserved. Imported and distributed by Jarden Consumer Solutions (Europe) Limited, Royton, Oldham OL2 5LN, United Kingdom. Jarden Consumer Solutions (Europe) Limited is a subsidiary of Jarden Corporation (NYSE: JAH). The product supplied may differ slightly from the one illustrated due to continuing product development.

Printed In China

www.crockpot.co.uk

email: enquiriesEurope@jardencs.com

UK Freephone Customer Service Helpline 0800 052 3615



Made in PRC